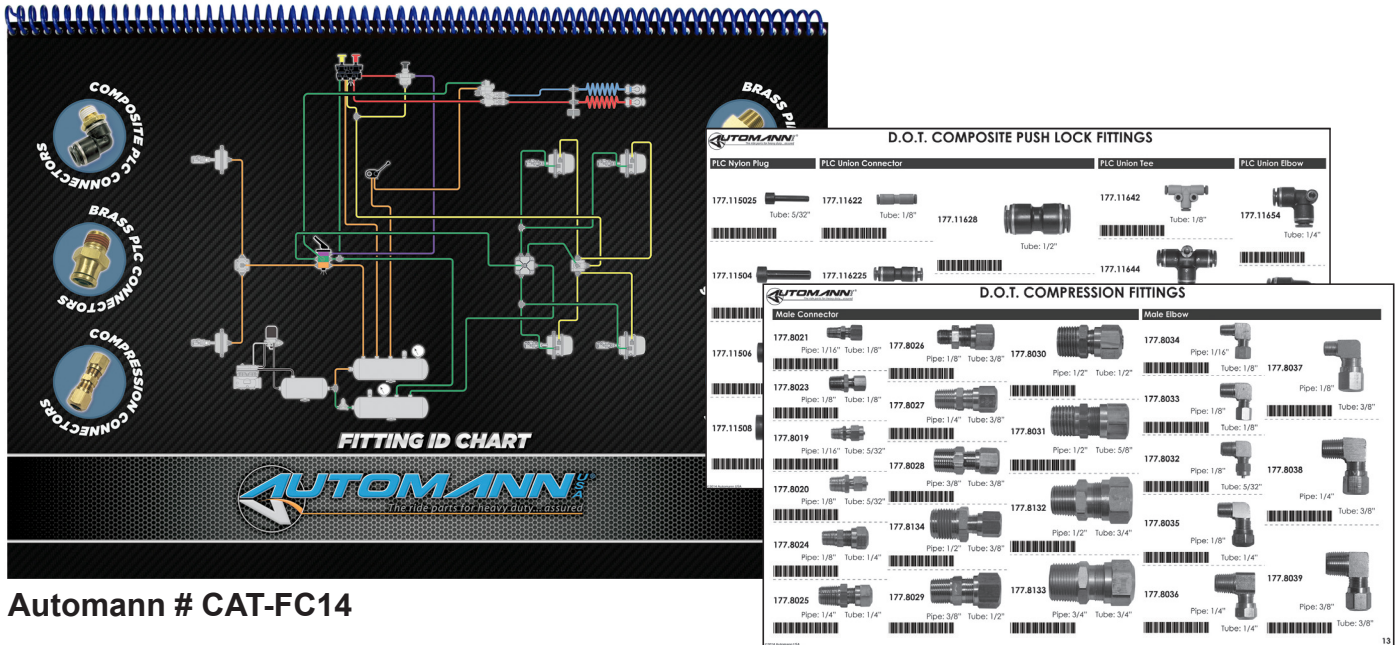


NEW FITTING ID CHART

Bulletin# 050114-11

DATE: 05-01-2014



FITTING ID CHART

AUTOMANN^{USA}
The ride parts for heavy duty... assured

D.O.T. COMPOSITE PUSH LOCK FITTINGS

P/LC Nylon Plug	P/LC Union Connector	P/LC Union Tee	P/LC Union Elbow
177.11025 Tube: 5/32"	177.11422 Tube: 1/8"	177.11428 Tube: 1/2"	177.11442 Tube: 1/8"
177.11504	177.11425	177.11644	177.11654 Tube: 1/4"

D.O.T. COMPRESSION FITTINGS

Male Connector	Male Elbow
177.8021 Pipe: 1/4" Tube: 1/8"	177.8026 Pipe: 1/8" Tube: 3/8"
177.8023 Pipe: 1/8" Tube: 1/8"	177.8027 Pipe: 1/4" Tube: 3/8"
177.8019 Pipe: 3/16" Tube: 5/32"	177.8028 Pipe: 3/8" Tube: 3/8"
177.8020 Pipe: 1/8" Tube: 5/32"	177.8134 Pipe: 1/2" Tube: 3/8"
177.8024 Pipe: 1/8" Tube: 1/4"	177.8029 Pipe: 3/8" Tube: 1/2"
177.8025 Pipe: 1/4" Tube: 1/4"	177.8133 Pipe: 3/4" Tube: 3/4"

Automann # CAT-FC14

Printed on 100 lb gloss covered paper, this identification chart has 450 real-sized fitting images with barcodes. 11" x 17" in size, it contains individual images for the following categories of fittings:

- D.O.T. Composite Push Lock
- D.O.T. Brass Push Lock
- D.O.T. Compression
- Pipe
- Compression-for Copper Pipe
- Air Brake Hose
- Discharge Hose

Also included in the chart are product listings for other Automann air systems parts, such as:

- Air Brake Tubing & Hose
- Air Brake Hose Assemblies
- Air Brake Valves
- Transmission Valves
- Suspension Valves
- Height Control Valves

Other features included are interchanges, popularity rankings, quick reference chart, and identification tips.



Any reference to OEM names or OEM product identification numbers/descriptions/model numbers is for identification only and does not indicate that it is an OEM part. When ordering, customers have the option to order using industry references, OEM references or Automann references.